



# 625 HYBRID SINGLE TEMPERATURE TRU



## STANDARD FEATURES

### Proven Reliability

16 years of development with the industry's highest quality components and best design has resulted in an unmatched unit with all-around capabilities.

### High Refrigeration Output

High torque engine provides all the power the compressor needs, resulting in deep frozen capacity even in the most demanding environments.

### Variable Speed Operation

Industry first of stepless speed control, engine speed matches refrigeration system demands. A 1270 RPM minimum speed and 1800 RPM maximum speed saves fuel and cuts noise.

### Robust Electrical System

Recognizing the increased electrical demands imposed by telematics, comes standard with a 65w solar panel to trickle charge a premium EFB battery.

### Direct Drive Technology

Hybrid based technology direct couples the diesel engine and the generator, eliminating problematic centrifugal clutches and fast wearing drive belts.

### Quietest Operation

Whisper quiet diesel operation, virtually silent electrical operation.

### Industrial Diesel Engine

Uses a DOC and common rail injection to meet ULETRU emissions (No maintenance required EGR or DPF).

### Standard 480v Shore Power

Provides zero local dock emissions. Shore power connection is fully integrated into the rear roadside of the trailer.

### Engine

- CARB ULETRU "Evergreen" Diesel, also meets lower standard EPA Tier 4 Final
- HATZ 4 Cylinder 2.0-liter water cooled industrial diesel engine
- 24.9 HP at 1800 RPM booster high speed
- High torque output, allows a lower fuel-saving high speed, dramatically reducing engine noise
- Electronic variable speed engine control
- Fuel-saving, ultra high-pressure BOSCH common rail injection
- Zero maintenance DOC (Diesel Oxidation Catalyst)
- Tuned intake suppressing diesel drone
- 50 Gallon 22" single filler, industry standard aluminum fuel tank

### Engine Servicing

- Self priming fuel system
- Simplified construction eases servicing and repair access
- 3000 hour service interval
- 9.6 qt oil capacity, regular mineral API CK-4 (Low Ash) Oil, 10W-40 supplied
- Automatic adjusting valve lifters, no cam belt
- Water pump driven by a long life serpentine belt (6,000 hours)
- Long life fuel filter with water separator
- Transparent lift pump fuel filter for ease of inspection
- Long life coolant
- Water drain on aluminum fuel tank
- Advanced CAN diagnostics

### Electrical

- Direct drive permanent magnet 480v generator
- Solid state 12v 40A battery charger
- 65W 12v top-mounted solar panel, angled for drainage with charge controller
- 850CCA 98AH EFB Group 48 (H8) battery
- 480v automatic phase reversal
- Standard shore power requirements, 480v/30amp/3ph/60Hz
- Integrated, industry standard shore power socket located at rear roadside (Hubbel HBL430B7W)

### Refrigeration System

- High performance, industry trusted 4 cylinder piston compressor
- Fuel-saving compressor unloaders
- Electronic suction modulation valve output control
- Electrical heating and defrost system, dramatically reduces duty cycle on compressor
- Evaporator in core electrical defrost rods provide faster defrosting
- Front mounted efficient condenser coil
- 14.3 lbs R452a refrigerant

### Integrated Airflow

- Advanced open fin evaporator, half as many defrost cycles
- Flexible rubberized snorkels transition air from unit to ceiling
- 3 unequal length air chutes deposit air equally throughout the compartment
- Variable speed, high-velocity fans provide powerful air flow
- Removable & cleanable FG Vortex bulkhead smoothly directs return air

### Micro & Electronics

- Fast power up micro controller
- Multi language display
- Easy access max output modes, normal, eco, and booster
- SMV modulation for top freeze prevention
- Rear door switch
- Ultrasonic fuel level sender
- Combination LED fuel level sensor and alarm light
- Low voltage Battery disconnect
- CAN & LIN bus data connectivity and expansion
- Over-the-air system software capable and Cargobull Sets
- Remote data transmission enabled

### Body Shell and Construction

- Galvanized & coated frame
- 2 piece bolted frame
- Low profile avoids impact damage and allows for close coupling for increase fuel efficiency
- Full bottom panel
- Bottom discharge engine bay cooling fan
- Durable plastic full width doors with single latch
- Silent kit, sound absorbing doors

### Cargobull CTU Pro System

- Independent temperature probe at evaporator return air
- Direct CAN bus control & data sharing
- Local memory & long term cloud storage
- WiFi connection to local app
- 4G & 5G GSM data transmission
- 5 Years data service included

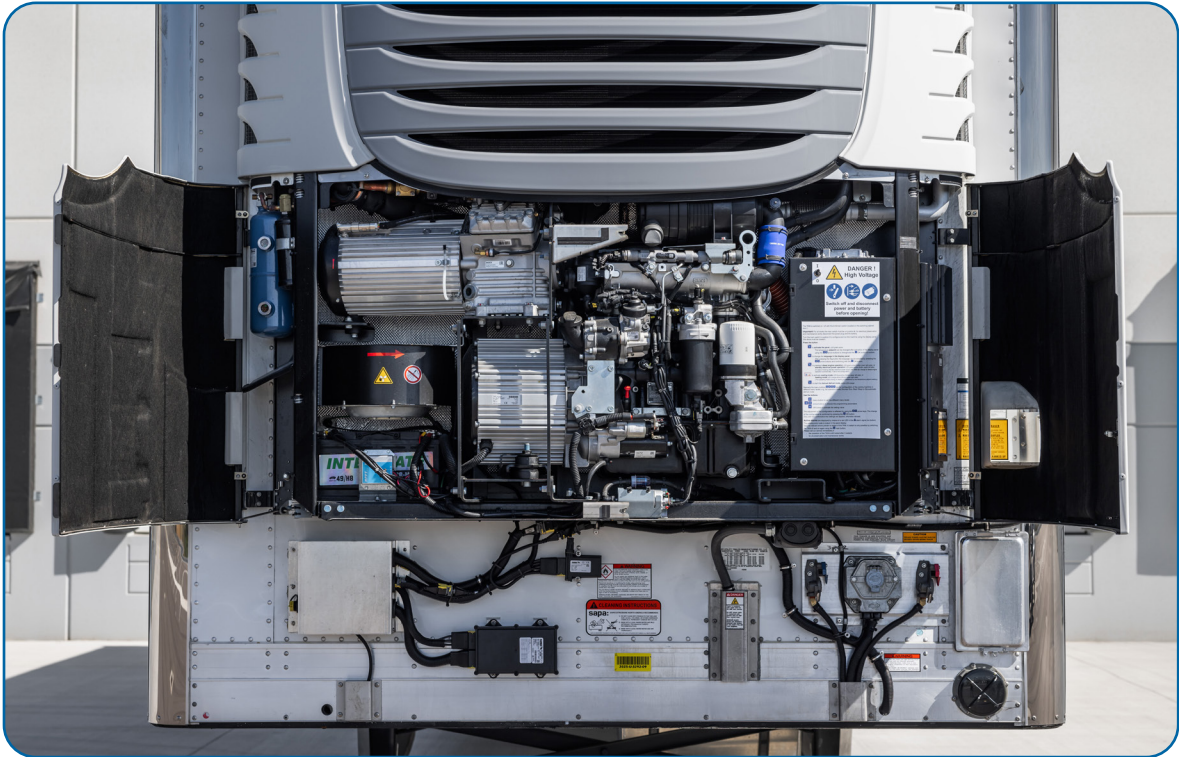
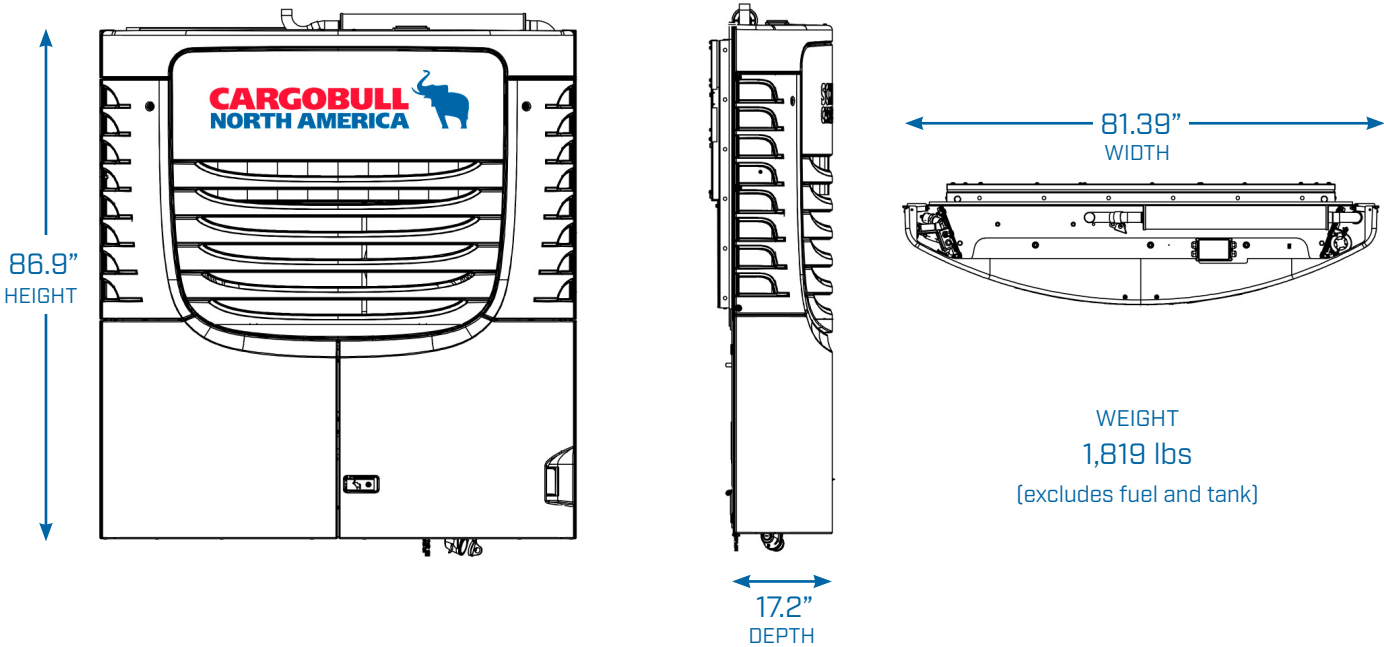
### Accessories and Options

- Rear remote-control panel
- Liftgate battery pack charging
- Up to 3 additional temperature probes
- Shore power brake interlock
- CAN gateway splitter



The First Name In Trailers®

# UNIT WEIGHT & DIMENSIONS



For more information or to find a dealer near you, scan the QR Code.

Specifications, images, data and availability subject to change without notice.



17295 E Railroad St • City of Industry, CA 91748